

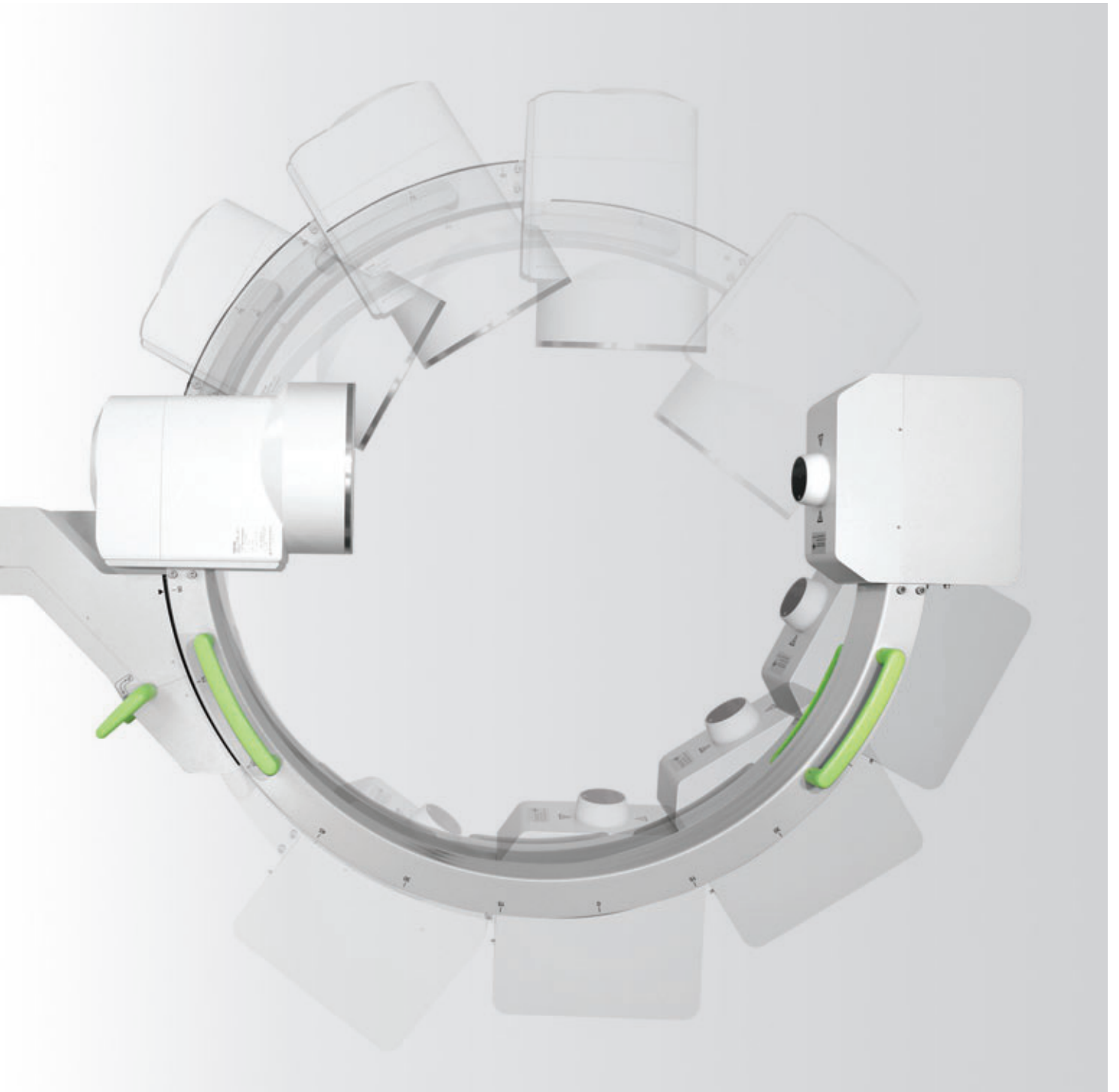
FDA Approved



C US ISO9001 ISO13485

The Smart Intelligent C-arm System

# Anyview Series



*"Premium Performance & Value"*

eco & electronics  
**ecoTRON**

## C-arm's start to finish is the x-ray generator and image.

Anyview Series - Experience the best x-ray generator and supreme image quality.



## The Smart Intelligent C-arm System **Anyview Series**

### Compare and Choose!

- Anyview Series - now the new standard of C-arm!
- High-priced premium class specifications at an economical cost!
- Compact design-compare directly!

The generator technology is the fundamental of x-ray. Through an Advanced X-ray Generator technology, you can experience the following.

#### ○ Advanced X-ray Generator technology

- As soon as the foot switch is stepped on, you can visualize the image through the x-ray's fast response speed.
- Through 8, 15, 30Hz pulsed frequency, the level of radiation is reduced.

#### ○ IDR mode (Intelligent Dose Reduction)

- This is a technology that gains the best image through minimum radiation dose.
- With just one switch selection, low dose function is automatically activated.

#### ○ Digital spot mode

- High-resolution image mode for a detailed image reading.

#### ○ AIIP (Anyview Intelligent Image Processing Module)

- No more slow and buffering images-AIIP image module is loaded, offering high-resolution, high-definition images.
- 30 frame high-definition images in any fluoro mode.

#### ○ Virtual Collimator

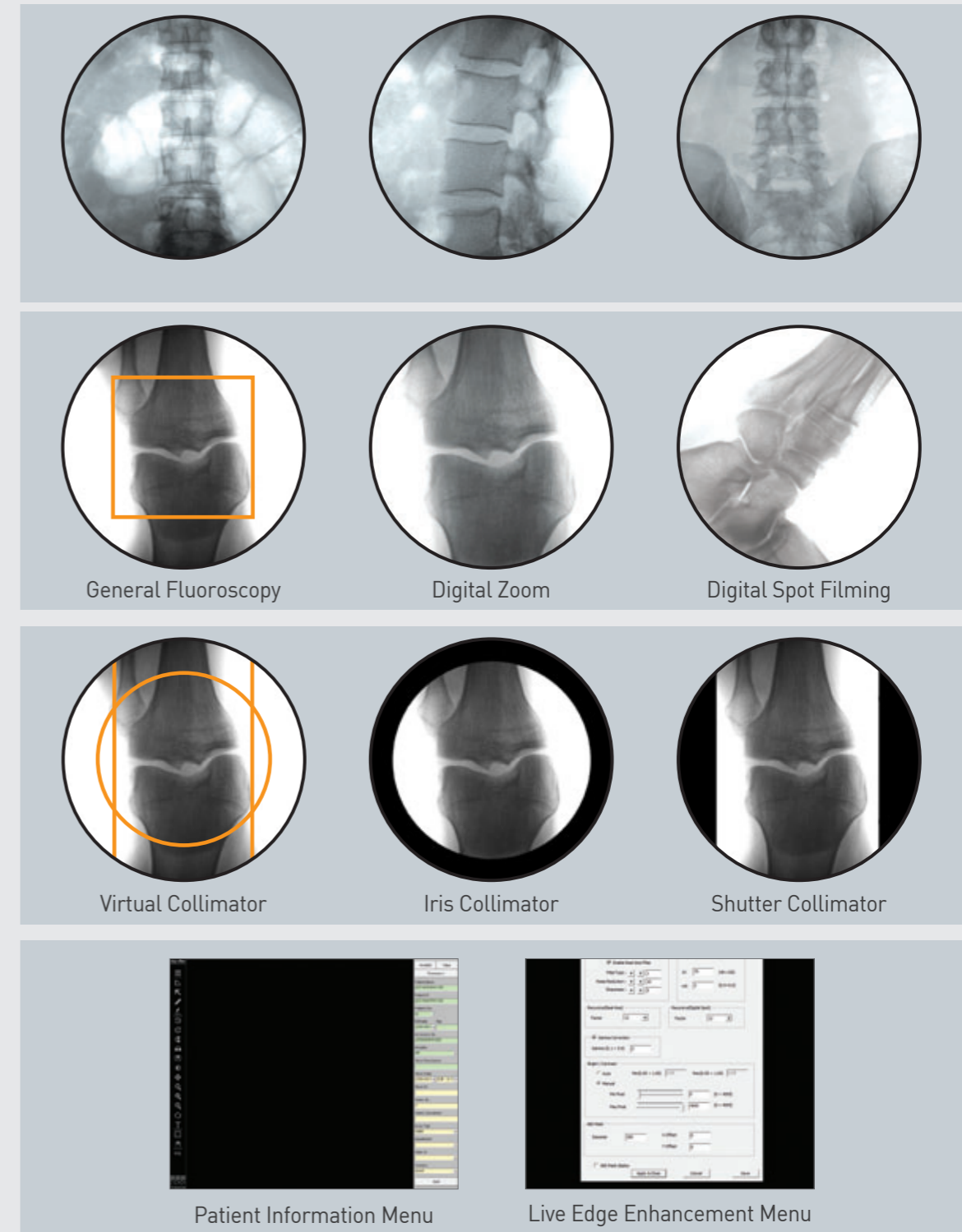
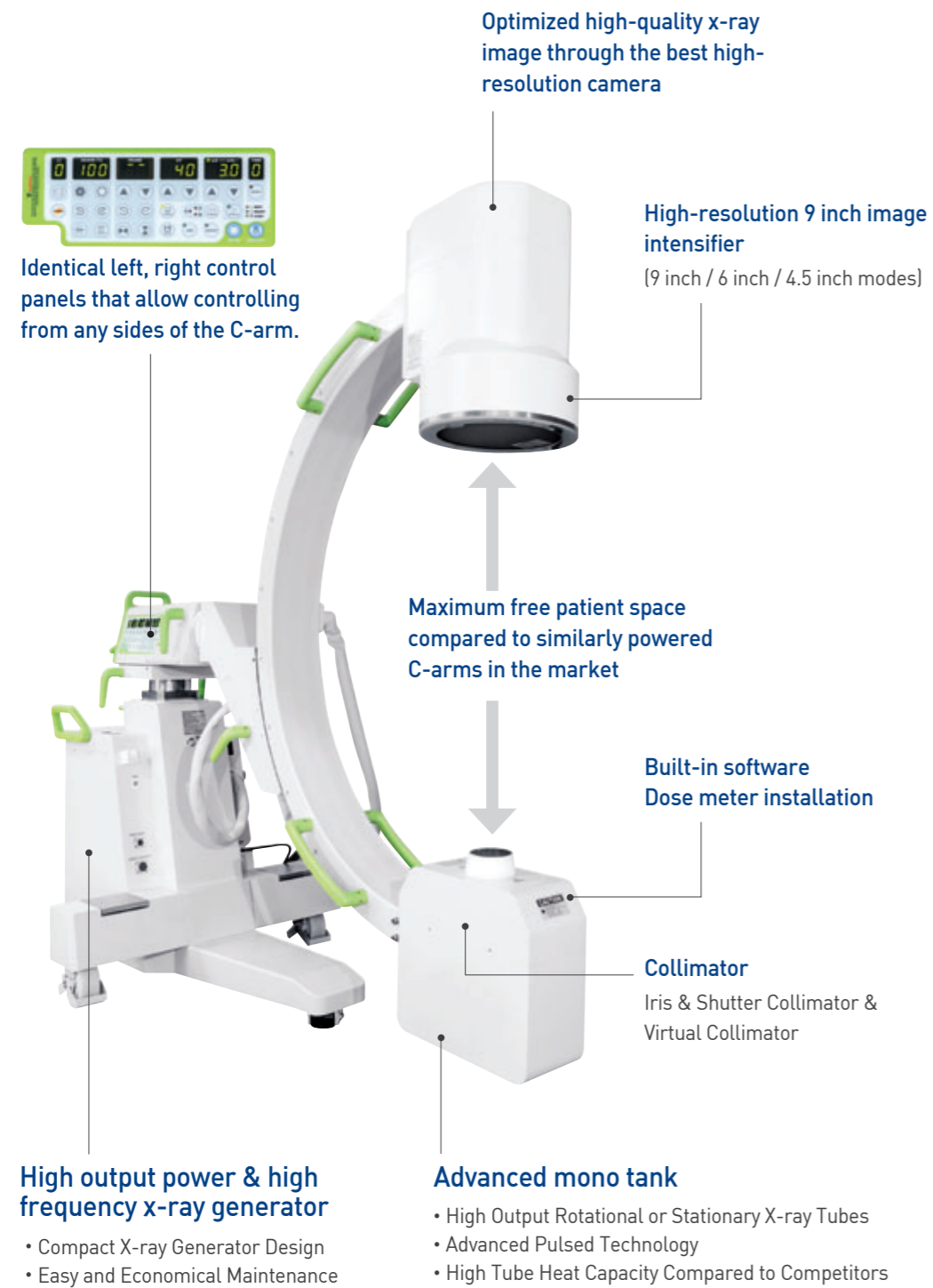
- When setting the x-ray radiation field, virtual field setting is possible without additional x-ray exposure.
- When setting the x-ray image field, unnecessary radiation exposure can be reduced.

#### ○ Built-in Software DAP

- The patient dosage is shown through the Anyview Series built-in software DAP without hardware DAP installation.
- DAP information can be stored in Patient image information.

The Smart Intelligent C-arm System  
**Anyview Series**

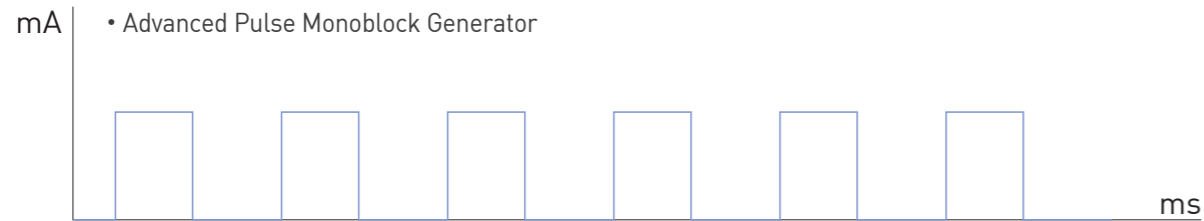
**Anyview Premium  
 High Resolution Imaging**



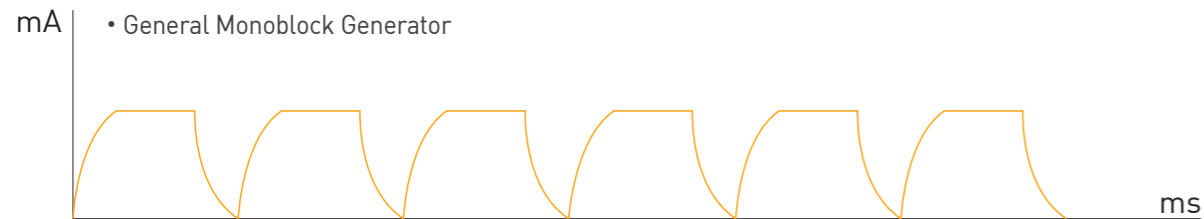
# Advanced Pulse Technology Generator

Minimum dose and Best quality

- Perfect pulse generating implemented through Advanced Pulse Technology
- Imperfect pulse generating will not only increase the patient and operator's absorbed dose (increased rising / falling time) but also downgrade the image quality.
- Advanced Pulse Fluoroscopy will perfectly implement imaging with lower patient dose.



The perfect pulse generating technology implemented by Advanced Pulse Technology will minimize radiation dose and create the best image quality.



## Intelligent Dose Reduction

Minimum dose and Best quality

01

### Image Area

Select the body part of an anatomy, automatically optimize the body part's kV, mA setting and dose.

02

### Intelligent dose reduction

Select mode ABS mode, Pulse mode (30 or 15 or 8 fps), activation

03

Lower pulse frequency and pulse width to reduce dose

04

Align laser cross pointer on the imaging area

05

### Virtual Collimator

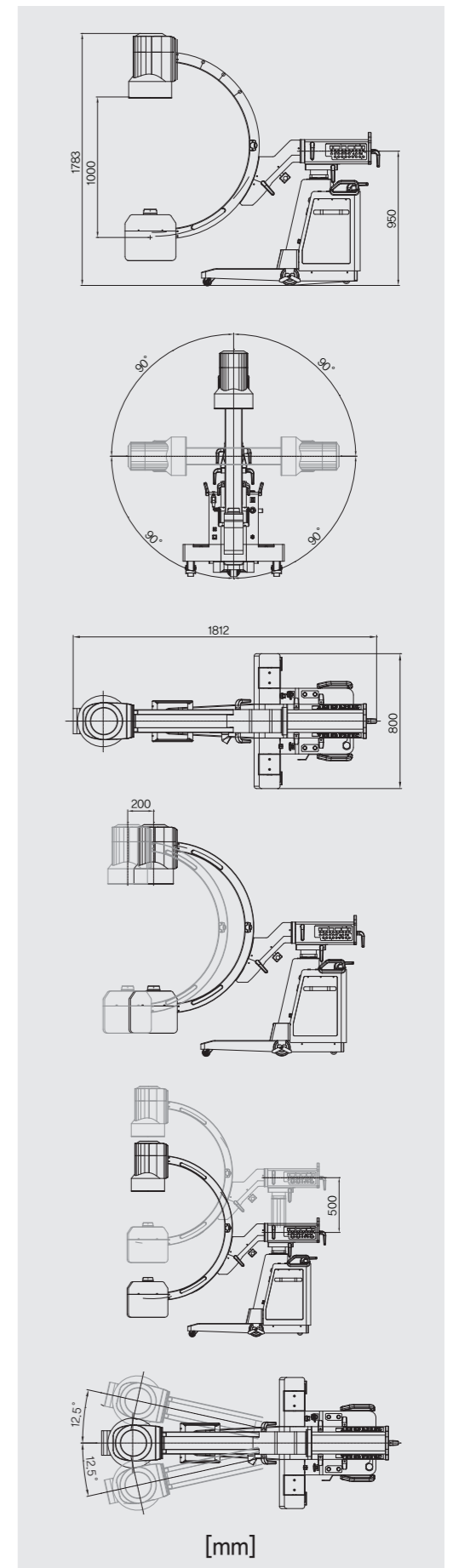
align collimator on imaging area without x-ray usage

06

AIPP (Anyview Intelligent Image Processing)  
When using the automatic dose reduction mode.

# Specifications

Model Name	Anyview-500S	Anyview-500R
<b>1) System power requirement</b>		
(1) Line voltage	110V/220V 50/60Hz	110V/220V 50/60Hz
(2) Line phase	Single	Single
<b>2) X-ray Generator</b>		
(1) Type	HFG INVERTER	HFG INVERTER
(2) Output power	5.0kW	5.0kW
(3) Fluoroscopy		
- Continuous mode	0.5-5mA	0.5-10mA
- Pulsed mode	0.5-5mA	0.5-20mA
- Boost mode	20mA	30mA
- Boost Pulsed mode	20mA	30mA
- ABS mode	YES	YES
- Digital spot mode	YES	YES
(4) Radiography mode		
- kV range	40-120kV	40-125kV
- mA range	20-100mA	20-100mA
- mAs range	0.4-100mAs	0.8-200mAs
<b>3) X-ray tube</b>		
(1) X-ray tube type	Stationary	Rotating
(2) Max kV	120kV	125kV
(3) Focal spot		
- Small	0.6mm	0.3mm
- Large	1.8mm	0.6mm
(4) Target angle	15°	10°
(5) Anode heat storage capacity	40kJ	150kJ
<b>4) Collimator</b>		
(1) Type	Motorized	Motorized
(2) Opening/Closing	2 way	2 way
(3) Rotation	360°	360°
(4) Iris	Motorized	Motorized
<b>5) Image Intensifier</b>		
(1) Input field view size(Inch)	9inch	9inch
(2) Nominal entrance field size(inch)	9/6/4.5 inch	9/6/4.5 inch
(3) Central resolution(lp/cm)	52/58/68	52/58/68
(4) Contrast ration(10%)	30	30
<b>6) High resolution Digital Camera</b>		
(1) Type	CCD	CCD
(2) Pixel Size	1K*1K	1K*1K
<b>7) Monitor (Included by Monitor stand)</b>		
(1) Type	TFT-LCD DUAL	TFT-LCD DUAL
(2) Sizelinch)	19	19
(3) q'ty	2	2
<b>8) Digital Imaging System(DIS)</b>		
(1) Type	Anyview Imaging System	Anyview Imaging System
<b>9) Option</b>		
(1) DAP	YES	YES
(2) DSA	YES	YES



The Smart Intelligent C-arm System

# Anyview Series